

Skeletank[®]

by Hydro WMS

PRODUCT SPECIFICATION SHEET

Catchpit Chamber 110

315mmØ Catchpit 3 x 110mmØ inlet, 1 x 110mmØ outlet

Product Code: SELH03003



Design

Skeletank catchpit chambers are designed to complement Skeletank attenuation and infiltration systems.

Specification

The SELH03003 has a diameter of 315mm and an overall nominal height of 850mm. The polyethylene chamber can be easily reduced on site to suit required invert levels.

Each chamber has 4 number 110mm diameter pipe spigots to suit standard PVC-u push fit drainage pipework. Each spigot can be used to form either an inlet or outlet.

The SELH03003 chamber has a 50mm deep sump to accommodate the deposition of silt and debris in the collected rainwater for later removal under a regular maintenance regime.

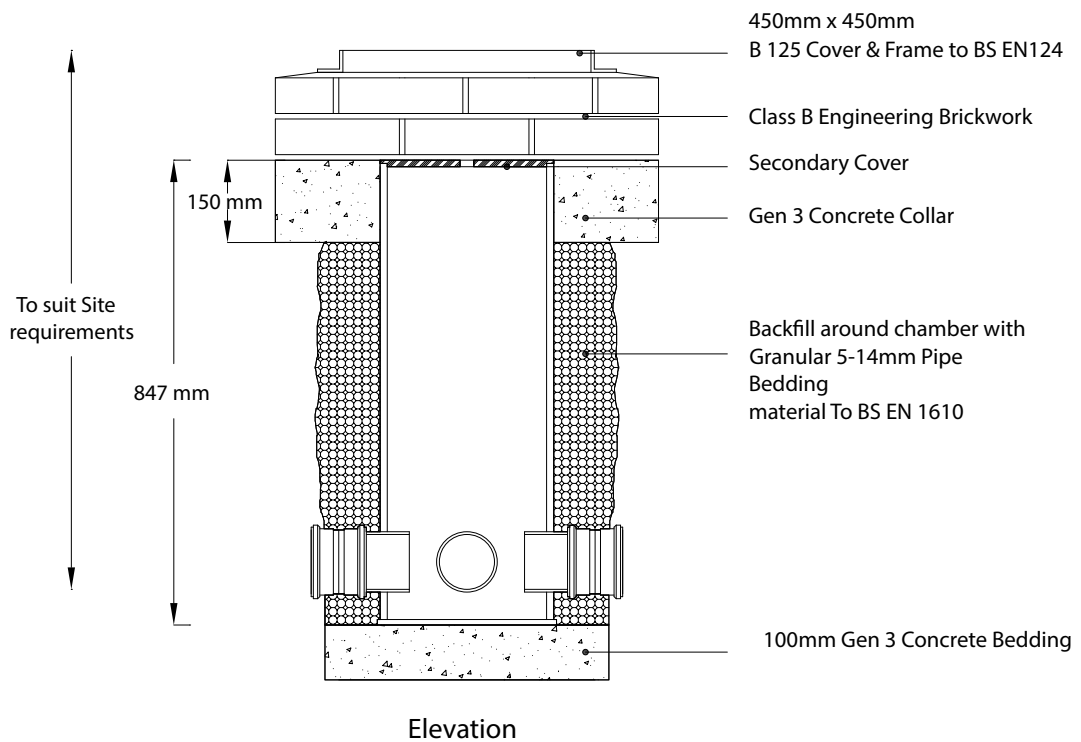
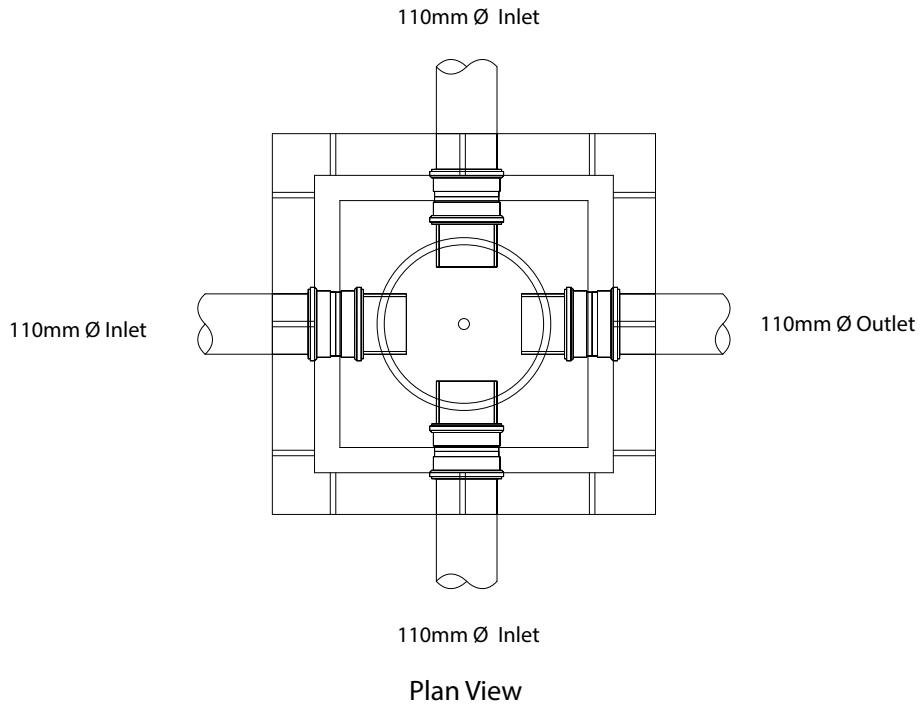
Installation

1. Set out the location of the chamber
2. Excavate to the required depth. Set the chambers on a bed of concrete in accordance with the standard detail drawing. The chambers are supplied with a secondary cover; this cover must be left in place during construction to prevent any debris i.e. Stone, mortar, bricks etc falling into the chamber.

It is recommended that this cover be left in place when the brickwork and final choice of cover & frame has been fixed. Before completion ensure that the secondary cover is not trapped by mortar and can easily be removed.

Element	Dimensions
Chamber diameter	315mm
Sump depth	50mm
Overall depth	847mm
Spigot diameter	110mm
No. of spigots	4
Material	Polyethylene

3. If it is necessary to reduce the height of the chamber, remove the secondary cover, cut the chamber to the required height and replace the secondary cover before installation.
4. Connect the pipe work using standard underground pipes and fittings.
5. Backfill in accordance with the standard detail drawing or specific Contract requirements.
6. To complete the installation, a manhole cover to suit loading requirements should be procured and positioned using brickwork to adjust levels.



Product Code
SELH 03003

Disclaimer

This product specification is neither giving nor implying warranty for the use of this information for design and installation, as these are beyond our control. The data provided is typical and based upon the mean values obtained from the samples taken for any one test. If not otherwise indicated the test procedures reflect usually the mean of five samples. Skeletank Limited reserve the right to change the specifications without prior notice. Skeletank® is a trade mark registered by Skeletank Limited.

Hydro WMS

Office 13, Bracondale House , 141 Buxton Road
Stockport, Cheshire, SK2 6EQ

T: 0161 456 3476 | F: 0161 4565 820
E: skeletank@hydro-wms.co.uk | www.skeletank.co.uk